



BLUE SQUARE

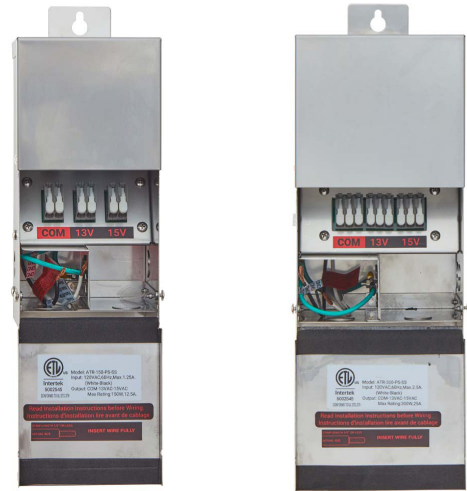
Project Name _____ Date _____

Type or Model _____ Qty _____

Blue Square® Low Voltage Transformers Pool and Spa Transformers

Product Description

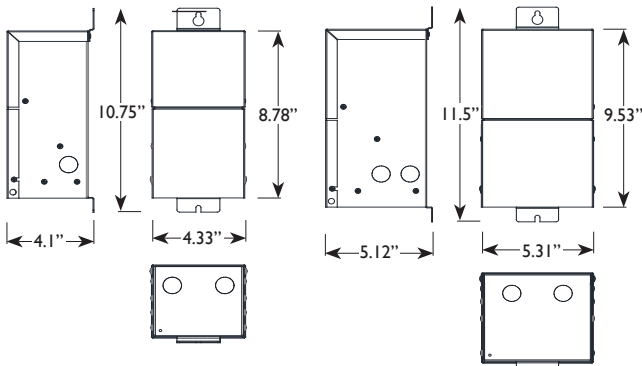
Blue Square®'s low-voltage pool and spa transformers are designed for illumination in or around swimming pools, spas, and fountains. Featuring EI cores, these units offer safe, efficient, and quiet operation. Constructed with marine-grade stainless steel enclosures for long-term durability. Each unit includes 13V and 15V wiretaps with clamp-connect terminal blocks for fast, easy, and secure wire connections. Blue Square®'s pool and spa transformers are compatible with most pool automation brands and are also capable of being controlled via toggle-switch. ETL Listed for pool and spa safety standards. Requires hardwired line-voltage(120V) installation (licensed electrician recommended). Backed by Blue Square®'s Hassle-free Lifetime Warranty.



Specifications

- ▶ **Housing:** Stainless Steel Casing
- ▶ **Power Cord:** Requires hardwired line-voltage(120V) installation (licensed electrician recommended)
- ▶ **Input Voltage:** 120V 60Hz
- ▶ **Voltage Taps:** 13 & 15 VAC
- ▶ **Secondary Circuit Protection:**
 - 150W & 300W: Auto Resettable fuse
- ▶ **Maximum Draw:** Max 150W 12.5A and 300W 25A

Dimensions



VLT600150

VLT600300

Features & Benefits

- ▶ Highly efficient EI core - runs cooler, generates less noise, with less voltage loss under load.
- ▶ Unique color-coded wire markers for easy maintenance and troubleshooting.
- ▶ Large 13 & 15V taps (UL 1838 compliant)
- ▶ 150W or 300W capacity
- ▶ Stainless steel body with removable face plate.
- ▶ Magnetic circuit breaker; auto reset integrated thermal breaker (in core).
- ▶ ETL Listed for both indoor and outdoor use.

Warranty

Lifetime Warranty

Certifications



Specifications subject to change without notice.