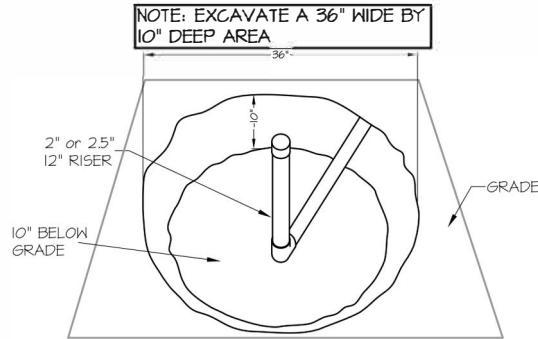


CLICK OR SCAN TO VIEW
INSTALLATION VIDEO

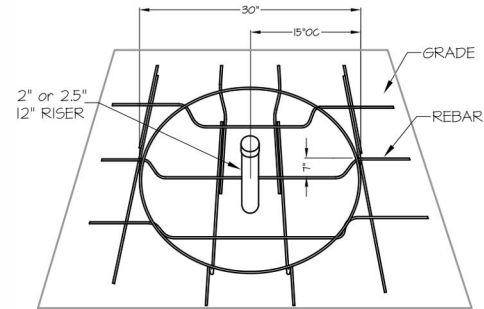


B L U E S Q U A R E

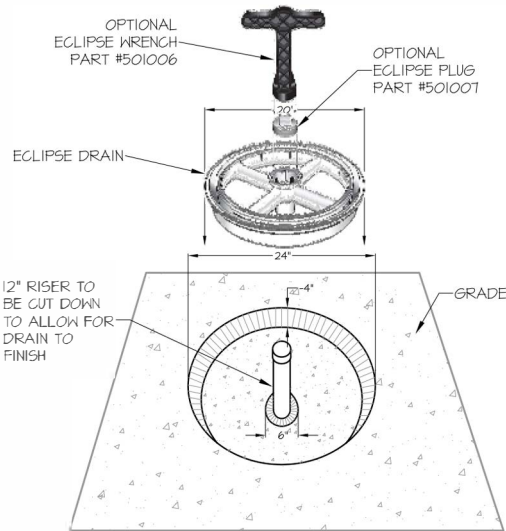
ECLIPSE DRAIN INSTALL DETAILS



PLUMBING PHASE



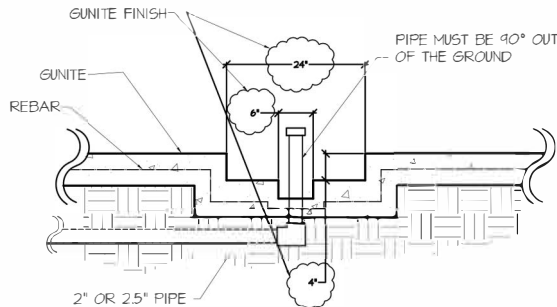
STEEL PHASE



OPTION #1 AT GUNITE PHASE

SETTING ECLIPSE BEFORE
GUNITE SHELL

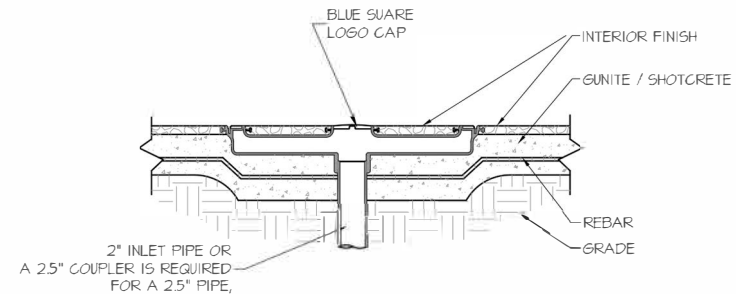
NOTE LEAVE A 24" WIDE BY 4" DEPTH VOID IN SHELL



OPTION #2 AT FINISH PHASE

SETTING ECLIPSE BEFORE
FINAL FINISH

**NOTE: BE SURE TO REMOVE TEST
PLUG BEFORE INSTALLING CAP**



FINISH PHASE