

INSTALLATION
**NICHELESS POOL
PLUG KIT**

Vivid360

POOL & SPA REPLACEMENT LIGHTS

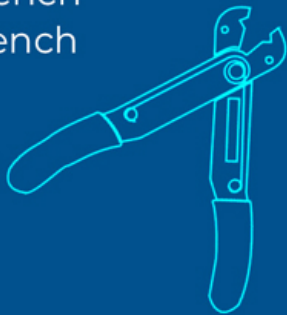
Okay, Let's Get Started

Tools For Install

- #1 Phillips head screwdriver
- Wire strippers

Optional Tools

- 20mm wrench
- 25mm wrench



Check Existing Cable

1

Visually inspect the existing cable to determine its viability.

The existing cable is not viable if:

- There are cuts or tears in the outer jacket
- Corrosion of the copper wire
- Signs of water intrusion

2

Testing the cable's resistance is a good way to ensure that the existing cable is viable.

Refer to Cable Resistance Technical bulletin for instructions and guidelines on resistance testing or go to bluesquaremfg.com/technical-documents

INSTALLATION

When it is determined that the existing cable is viable for a plug kit installation proceed with the following steps:

- 1** Strip off ½" of the cable's outer jacket.
- 2** Strip off ¼" of the wire insulation.
- 3** Slide the nut clamp onto the cable.
- 4** Slide the conical washer onto the cable with the small side of the cone towards the nut clamp.
- 5** Multiple seals are provided in the kit to provide the best protection from water intrusion. The seal should fit snugly, not loose, over the cable. Slide the seal that best fits your cable on approximately 4" down the cable.
- 6** Slide the compression washer onto the cable.

1



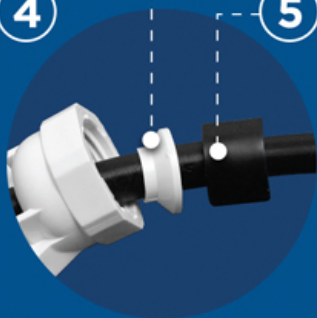
2



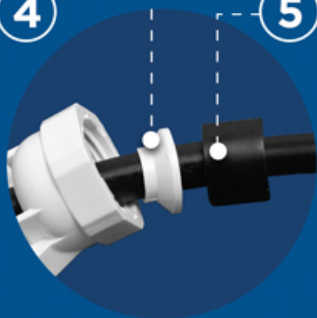
3



4



5



- 7 Slide the connector nut onto the cable.
- 8 Slide the connector housing onto cable.
- 9 Thoroughly twist the copper wires together and insert them into the terminals on the plug. Tighten the terminal screws and give the cable a tug to ensure the wires are secure in the terminals. For smaller wire gauges, it may be necessary to fold the bare wire over for a good connection in the terminals.
- 10 Push the plug into the connector housing and be sure the key on the plug is aligned with the keyway in the connector housing.
- 11 While firmly holding the plug in the connector housing, push the seal and conical washer into the connector housing. Silicone or Teflon lubricant can be used to assist in entering the connector housing.

6



7



8



9



- 12 Screw the nut clamp down onto the connector housing. 20mm and 25mm wrenches can be helpful in screwing the nut clamp on all the way. Be aware that the plug will want to push out the end of the connector housing when tightening down the nut clamp. Hold the plug in place securely while tightening down the nut clamp. If properly fitted, there should be no more than 2 threads exposed on the connector housing.
- 13 Screw down the cable clamp onto the nut clamp.
- 14 The cable is now ready to be installed onto the lamp.

Questions?

Check out our video:

bluesquaremfg.com/technical-documents

10

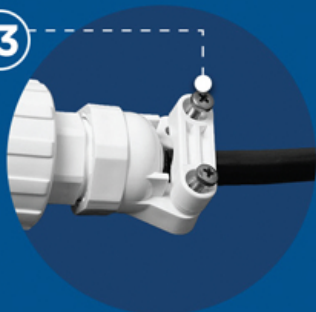


11



12

13



14





CAUTION

**DISCONNECT POWER SUPPLIES
BEFORE SERVICING**

Confirm that power has been turned off to the existing underwater light that is being replaced.

*If you cannot be sure that power has been disconnected, then **DO NOT CONTINUE WITH THE INSTALLATION.***



Toll Free: 800.277.4150
BlueSquaremfg.com